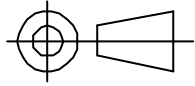
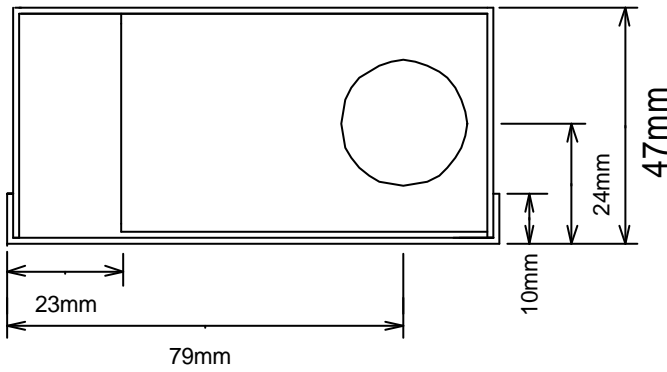
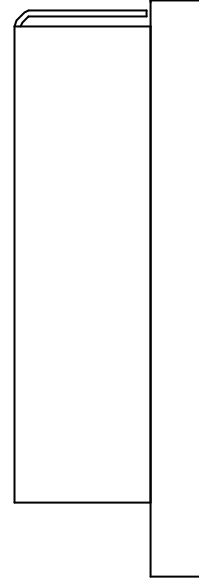
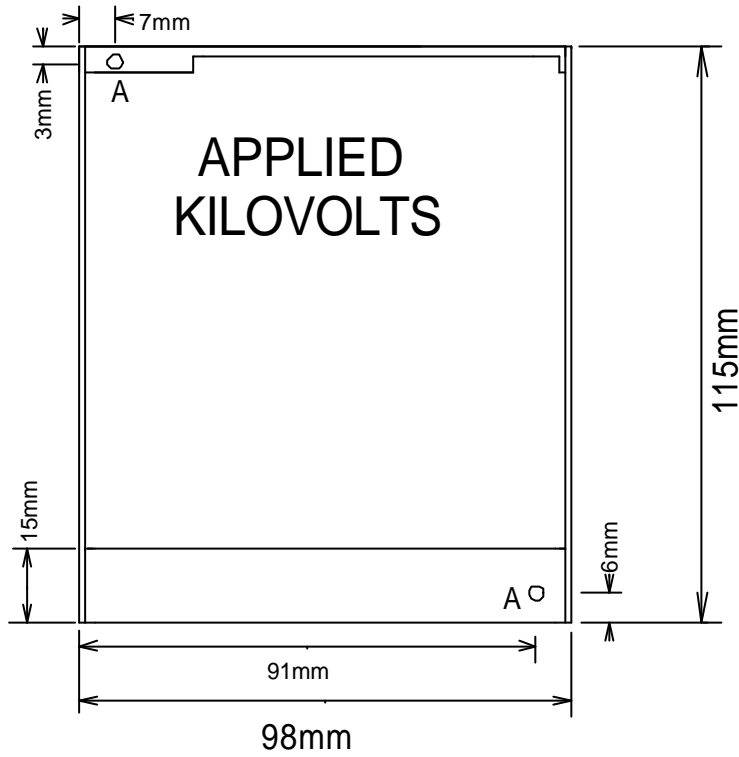


THIRD ANGLE PROJECTION



DO NOT SCALE



Fixing Holes
2 off M3 Clearance holes marked 'A'

©COPYRIGHT AND CONFIDENTIAL

MATERIAL
FINISH
ARTWORK

TOLERANCES	
OVERALL DIMENSIONS	±0.5mm
HOLE POSITIONS	±0.2mm

APPLIED KILOVOLTS LTD		01273 439440	
TITLE		Case drawing for KS series	
Date	19/11/03	Iss	B Drg No AK70015